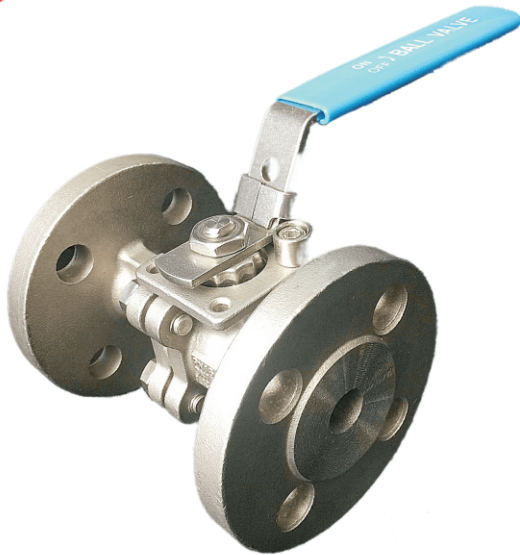




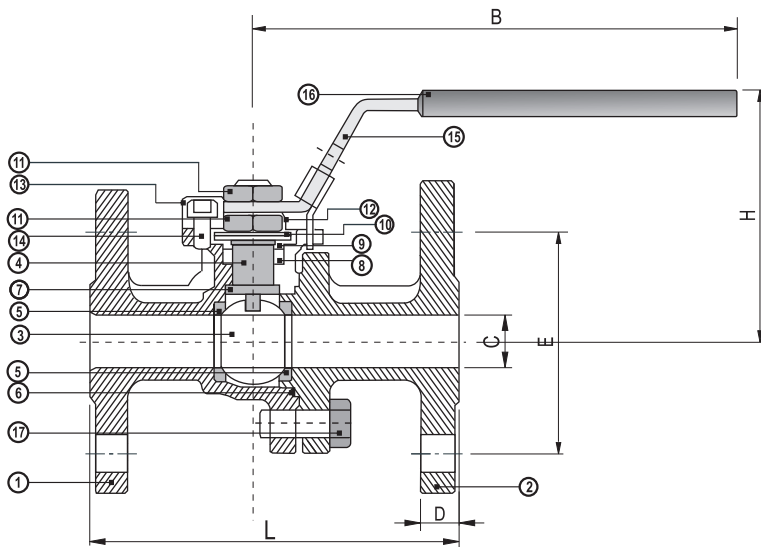
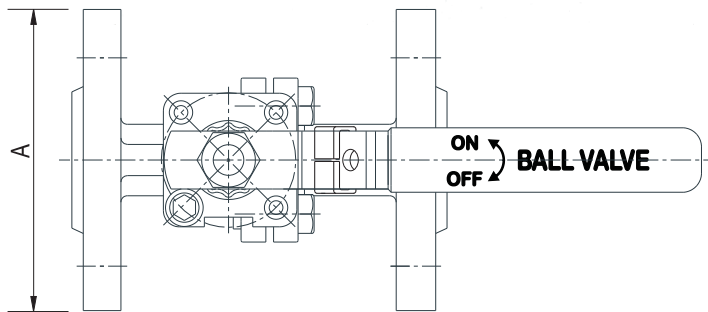
2-PC FLANGED END BALL VALVE JIS 10K



FEATURES :

- FULL PORT, 1/2" ~ 2" (DN15 ~ DN50)
- WORKING PRESSURE : JIS 10K
- WORKING TEMPERATURE : -20°C ~ 200°C (-4°F ~ 392°F)
- INVESTMENT CASTING
- BLOW-OUT PROOF STEM
- ISO 5211 MOUNTING PAD

- FLANGE DIMENSION : JIS B 2220 : 2004
- FACE TO FACE : JIS B 2002 : 1987



No.	PART NAME	MATERIAL
1.	Body	ASTM A351-CF8M
2.	Cap	ASTM A351-CF8M
3.	Ball	ASTM A276-316
4.	Stem	ASTM A276-316
5.	Seat	PTFE
6.	Seal	PTFE
7.	Thrust Washer	PTFE
8.	Packing	PTFE
9.	Gland Packing	AISI 304
10.	Spring Washer	AISI 301
11.	Bolt Handle	AISI 304
12.	Bolt Handle Cover	AISI 304
13.	Handle Stopper	AISI 304
14.	Bolt Stopper	AISI 304
15.	Handle	AISI 304
16.	Handle Sleeve	PLASTISOL / PVC
17.	Bolt Body	AISI 304

No.	Size	ØA	B	C	D	E	H	L	Weight (Kg/Pcs)
		(mm)	(mm)	(mm)	(mm)	(mm)	(mm)	(mm)	
1.	1/2"	95.0	142.0	15.0	12.0	70.0	72.9	108.0	1.76
2.	3/4"	100.0	142.0	20.0	14.0	75.0	76.3	117.0	2.21
3.	1"	125.0	187.2	25.0	14.0	90.0	86.3	127.0	3.51
4.	1 1/4"	135.0	187.2	32.0	16.0	100.0	90.7	140.0	4.44
5.	1 1/2"	140.0	254.6	38.0	16.0	105.0	112.9	165.0	5.82
6.	2"	155.0	254.6	50.0	16.0	120.0	123.8	178.0	8.25